

BETTER, ONLY BETTER



BALL VALVE SERIES

SWG BALL VALVE 卡套式球阀



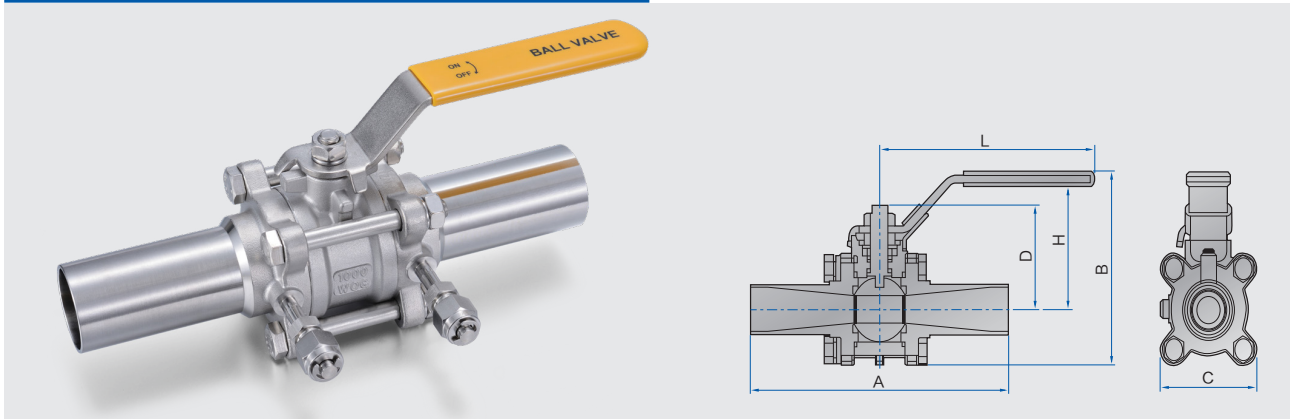
Unit : mm

Model	Size	Orifice	A	B	C	D	E	F	G
B PUB-SWG-04	1/4"	4.8	67.7	10.5	10.5	38	6	33	14.5
B PUB-SWG-06	3/8"	7.1	75.1	12.5	12.5	40.7	6	41	16.5
B PUB-SWG-08	1/2"	10	80.3	15.5	15.5	42.9	6	50.5	16.5
B PUB-SWG-12	3/4"	10	83	15.5	15.5	42.9	6	50.5	16.5

- Working temperature range -28°C to 232°C
- Up to 1000psig (68.9bar)
- Panel mountable

PART DESCRIPTION	Material
BODY	SUS316
CAP	SUS316L
BALL	SUS316
STEM	SUS316
SEAT	PTFE
PANEL NUT	SUS316
PACKING	PTFE
HANDLE	NYLON

BUTT-WELD BALL VALVE 对焊式球阀



Unit : mm

Model	Size	A	B	C	D	H	L
B PUB-BWT-12	3/4"	156.00	88.30	49.50	38.85	61.35	136.00
B PUB-BWT-16	1"	163.40	104.93	60.55	56.10	72.10	136.00
B PUB-BWT-24	1.5"	194.00	111.67	66.63	60.80	76.10	162.00
B PUB-BWT-32	2"	222.00	132.18	79.65	76.50	89.81	202.00
B PUB-BWT-40	2.5"	240.00	144.06	86.72	86.50	98.15	202.00
B PUB-BWT-48	3"	248.00	165.63	105.66	99.50	110.25	202.00
B PUB-BWT-64	4"	301.00	254.93	196.00	145.50	165.15	330.00
B PUB-BWT-96	6"	388.00	339.05	250.81	192.00	211.00	500.00
B PUB-BWT-15A	15A	155.00	88.50	49.50	38.85	61.35	136.00
B PUB-BWT-20A	20A	163.47	105.00	60.55	56.10	72.10	136.00
B PUB-BWT-25A	25A	163.47	105.00	60.55	56.10	72.10	162.00
B PUB-BWT-32A	32A	194.00	112.00	66.63	60.80	76.10	162.00
B PUB-BWT-40A	40A	208.00	133.00	79.65	76.50	89.81	202.00
B PUB-BWT-50A	50A	212.00	144.00	86.72	86.50	98.15	202.00
B PUB-BWT-65A	65A	248.00	166.00	105.66	99.50	110.25	202.00
B PUB-BWT-80A	80A	262.00	229.00	160.90	134.50	154.40	330.00
B PUB-BWT-100A	100A	301.00	256.00	198.00	145.50	166.10	330.00
B PUB-BWT-125A	125A	330.00	295.00	229.00	172.00	191.70	330.00
B PUB-BWT-150A	150A	364.00	339.00	250.81	192.00	211.00	500.00

- Working temperature: -28°C to 80°C
- <1": 1000psig , 1-1/2"-2": 600psig, >2-1/2": 232psig, <20A: 1000psig , 25A-40A: 600psig, >50A: 232psig
- Oil Free, BA Grade, Ra≤0.5µm
- IOPP,IPP,OPP
- 5S AutoWeld, 10S HandWeld, Flanges

PART DESCRIPTION	Material
Body	SUS316
Cap	SUS316L
Ball	SUS316
Stem	SUS316
Seat	PTFE
Gasket	PTFE
Packing	PTFE
Belleville Washer	SUS304
Stem Nut	SUS304
Stop Lock	SUS304
Handle	SUS304
Serrated Washer	SUS304
Stop Pin	SUS304
Bolt	SUS304
Thrust Washer	PTFE

- 304 Valve is available upon request